

**Tyco / Electronics**  
**Raychem Circuit Protection**  
 308 Constitution Drive  
 Menlo Park, CA 94025-1164  
 Phone: 800-227-4856  
 Fax: 800-227-4866

**PolySwitch®**  
**PTC Devices**  
 Overcurrent Protection Device

**PRODUCT: LR4-190SF**

DOCUMENT: SCD 26642  
 PCN: D81876  
 REV LETTER: A  
 REV DATE: APRIL 28, 2006  
 PAGE NO.: 1 OF 1

**Specification Status: Released**

**Electrical Rating**

**Voltage: 15V MAX**  
**Current: 100A MAX**

Chip Size: 5 x 7mm

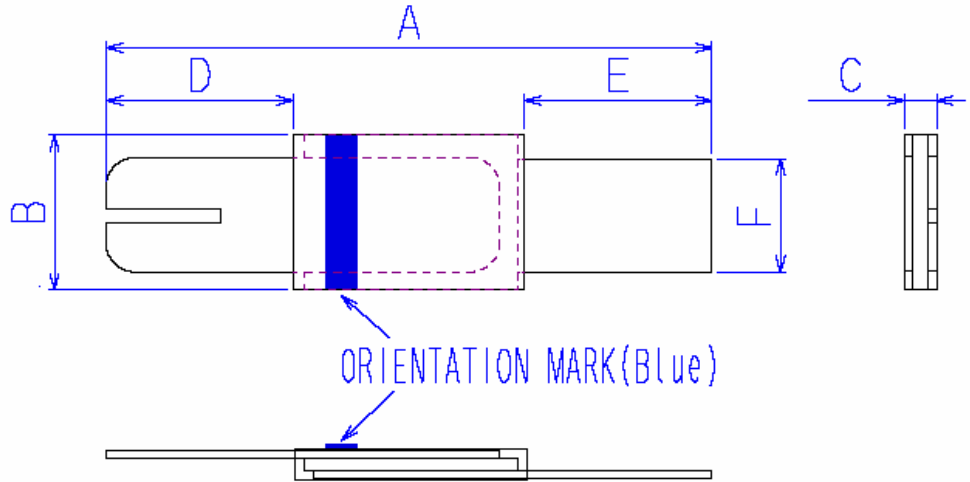
Nickel Leads: Nickel 1/4H  
 0.125mm nominal thickness

Solder: Lead-free

Tape: Polyester (White)  
 8mm nominal Width

Marking: (Color: Green)

- Manufacturer's Mark
- XX E19 — Part Identification
- — Lot Identification



**TABLE I. DIMENSIONS:**

	A		B		C		D		E		F	
	MIN	MAX	MIN	MAX	MIN	MAX	MIN	MAX	MIN	MAX	MIN	MAX
mm:	19.9	22.1	4.9	5.5	0.6	1.0	5.5	7.5	5.5	7.5	3.9	4.1
in*:	(0.78)	(0.87)	(0.19)	(0.21)	(0.02)	(0.03)	(0.21)	(0.29)	(0.21)	(0.29)	(0.15)	(0.16)

\*Rounded off approximation

**TABLE II. PERFORMANCE RATINGS: As measured in Mueller Kelvin Clips model BU-75K.**

I HOLD	CURRENT TRIP LIMITS									TIME TO TRIP	REFERENCE RESISTANCE	ONE-HOUR POST-TRIP RESISTANCE	TRIPPED-STATE POWER DISSIPATION					
	AMPS AT 0°C		AMPS AT 20°C		AMPS AT 60°C		AMPS AT --°C		SECONDS AT 20°C, 9.5A					OHMS AT 20°C		WATTS AT 20°C, 15V		
HOLD	HOLD	TRIP	HOLD	TRIP	HOLD	TRIP	HOLD	TRIP	HOLD	TRIP	TYP	MAX	MIN	MAX	MIN	MAX	TYP	MAX
1.9	2.3	4.6	1.9	3.9	1.4	2.8	---	---	---	5	0.039	0.072	0.039	0.102	---	1.2	---	---

Agency Recognitions:  
 Reference Documents:  
 Precedence:  
 Effectivity:  
 CAUTION:  
 Materials Information:

UL, TUV, CSA  
 PS300  
 This specification takes precedence over documents referenced herein.  
 Reference documents shall be the issue in effect on the date of invitation for bid.  
 Operation beyond the rated voltage or current may result in rupture, electrical arcing or flame.

**ROHS Compliant**

Directive 2002/95/EC  
 Compliant

**ELV Compliant**

Directive 2000/53/EC  
 Compliant

**Pb-Free**

